

应用

Applications

该人孔主要应用在食品，酿酒，饮料，制药等工业领域罐设备上。

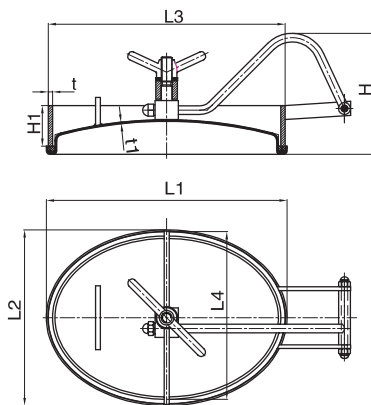
The Man Hole Is Mainly Used For Tanks In The Fields Of Food, Beverage, Chemical, Etc.

设计和特点

Design and features

- 内开式人孔盖子
- 扳手式手柄，手轮式手柄
- 内表面：Ra≤0.8 μ m-0.5 μ m
- 外表面：抛光处理、亚光处理、喷砂处理
- 最大压力：3.0bar
- 垫圈：EPDM、NBR、SILICON、FPM 符合FDA177.2600
- 度：75，100，120，150mm
- 材质：AISI304(1.4301)/316L(1.4404)

- inward opening man hole cover
- Spanner type handle, hand wheel handle
- Internal surface: Ra≤0.8 μ m-0.5 μ m
- Outside surface: polishing finished, sub-light finished, sand-blasting finished.
- Max. pressure: 3.0bar
- Gasket: EPDM、NBR、SILICON、FPM in accordance with FDA177.2600
- Height: 75, 100,120,150mm
- Material: AISI304(1.4301)/316L(1.4404)



ST-V1109

规格	H1	L3	L4	T
435*335	75	435	335	8.0
530*430	100	530	430	10.0
635*525	160	635	344	10.0

高度 (H1) 可根据客户要求；壁厚可根据客户要求；
Height(H1) and the thickness can be changed according to request of customers.