

## Aseptic Sampling Valve

Widely used for food, beverage, water, dairy, pharmacy, chemical, pharmaceutical industry, etc



### 材质

#### Material

- 阀体:AISI 316L
- 手柄:AISI 304
- 密封圈: MVQ EPDM
- Valve body:AISI 316L
- Handle:AISI 304
- Gasket: MVQ/EPDM

### 技术规范

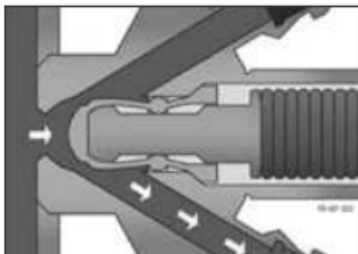
#### Technical specification

- 最大压力:600kpa(6bar)
- 最高温度:130℃
- 干蒸汽:(2bar)121℃
- 连接方式: 螺纹, 卡箍, 焊接
- Max.working pressure:600kPa(6bar)
- Temperature
- Max.temperature:130° C
- Dry steam:(2bar)121° C
- Connections: thread, clamp, weld

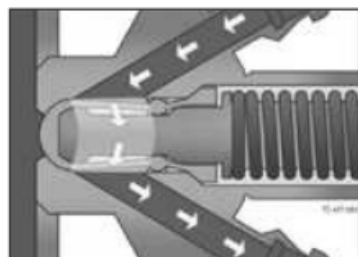
建议:消毒200次,更换密封圈

Ordering:

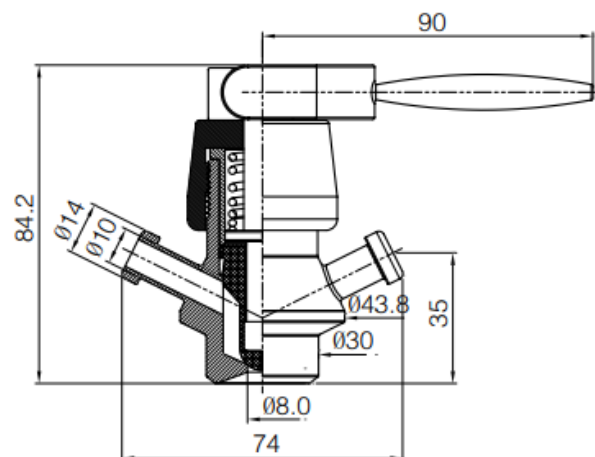
It is recommended that the membrane be changed every 200 sterilizations.



开启阀门, 取样  
Open valve, Sampling.



关闭阀门, 消毒  
Closed valve, Sterilizing.



扳手式焊接无菌取样阀  
Turning handle type welded  
sampling valve